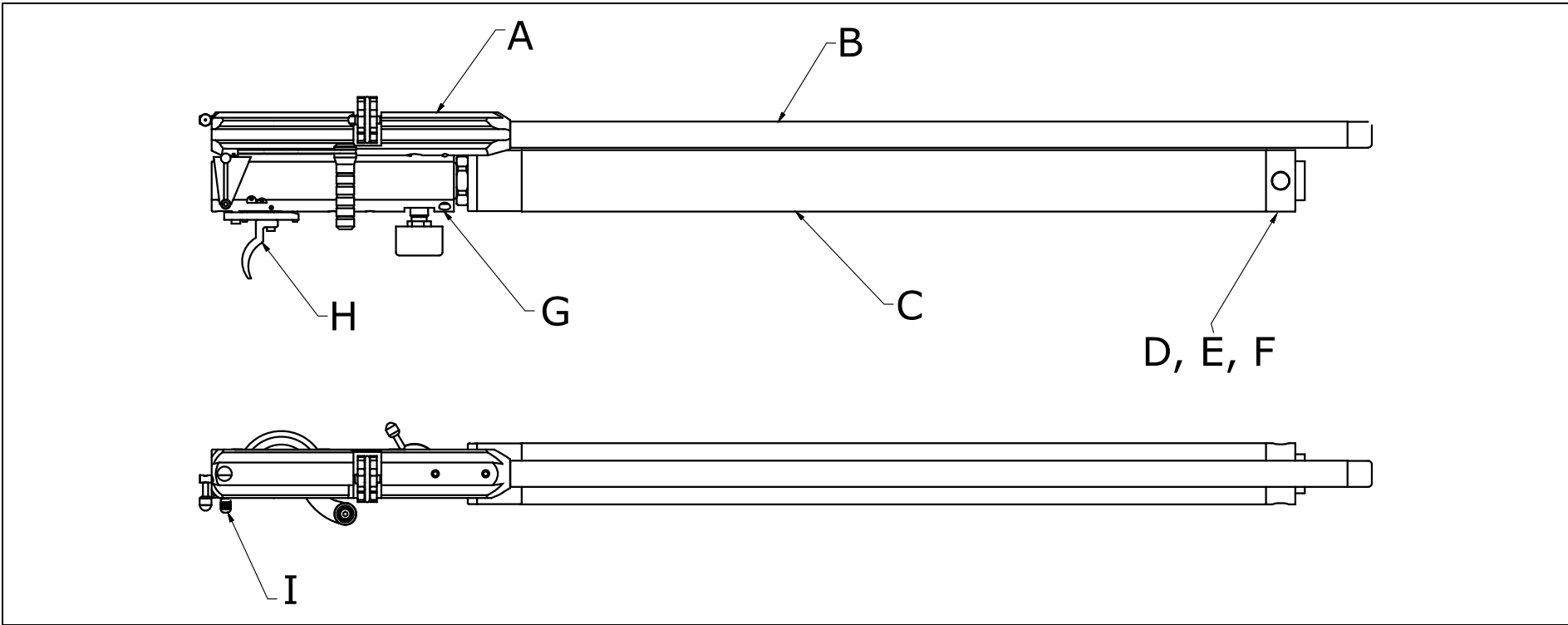
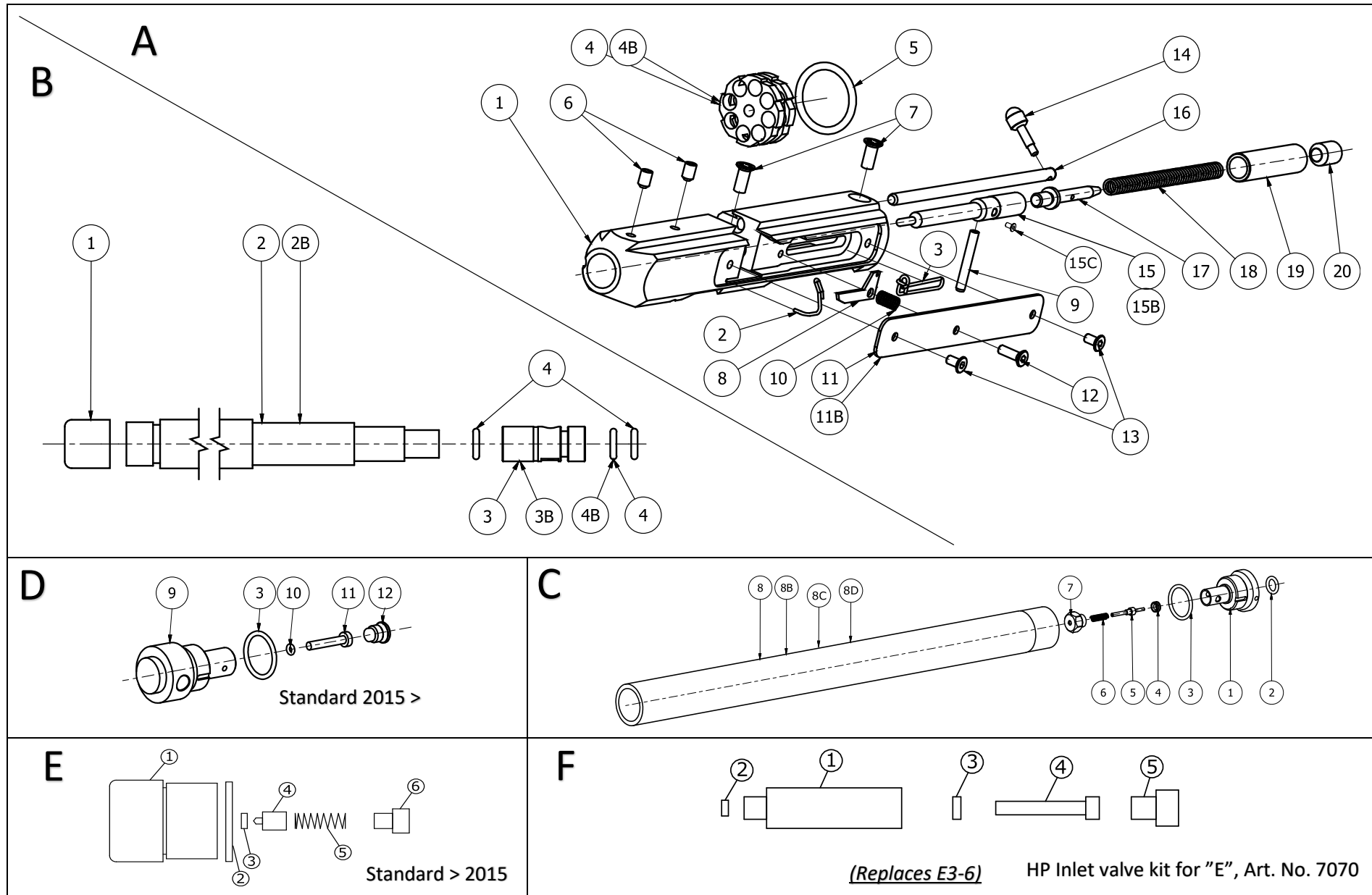


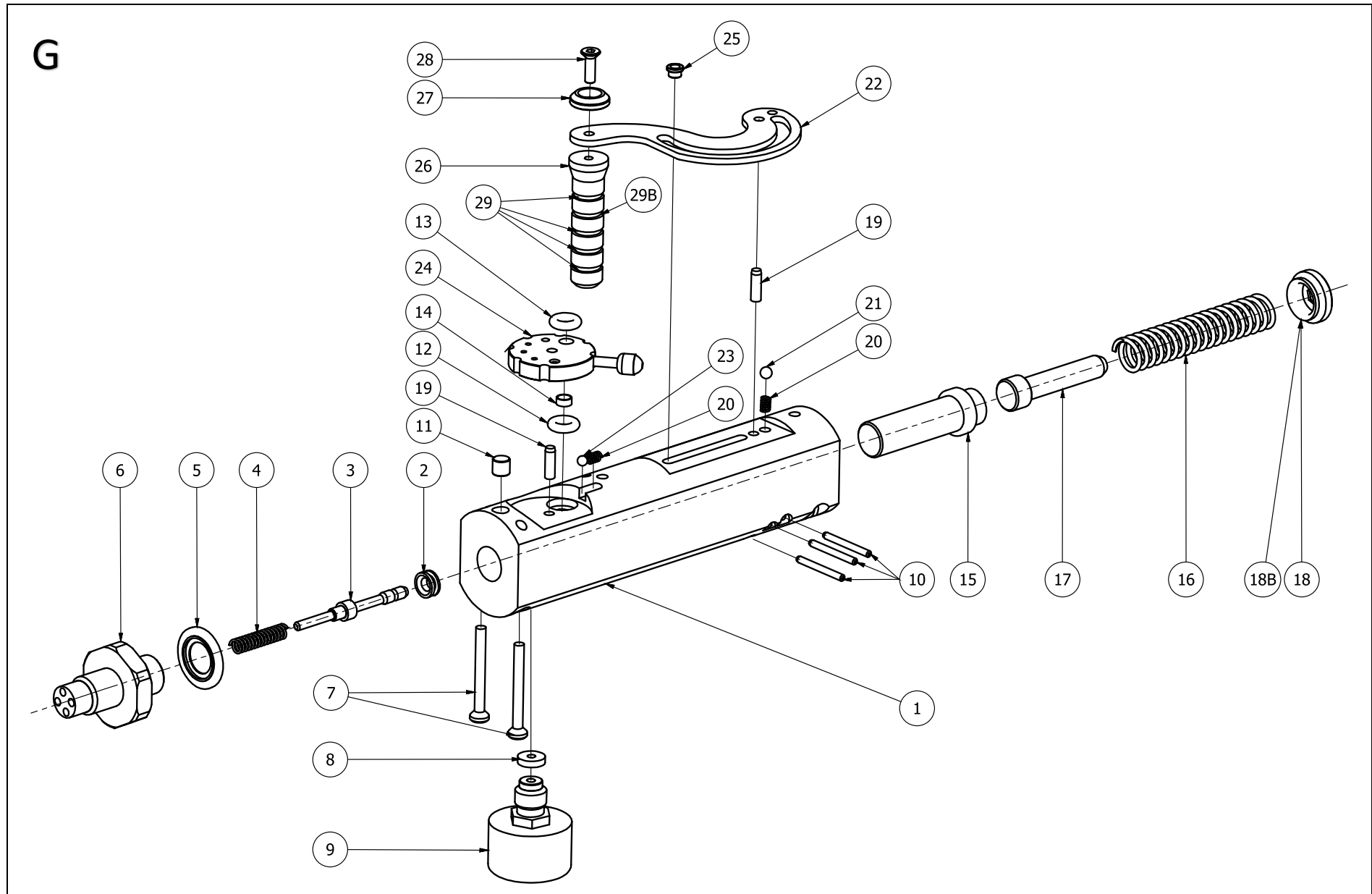
Model	Other model names	Date	Revision	Revision date
Cutlas		2019-10-09	En.20.04	2020-04-09



Model	Other model names	Date	Revision	Revision date
Cutlas		2019-10-09	En.20.04	2020-04-09



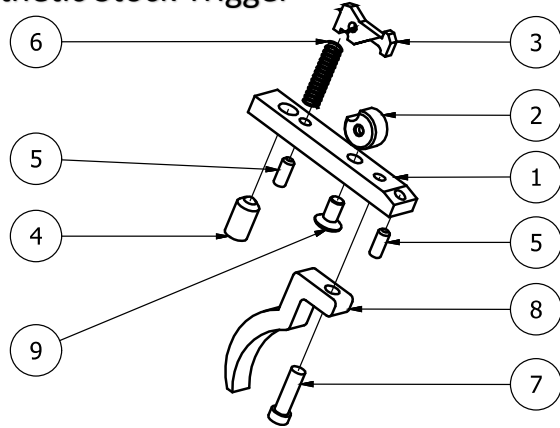
Model	Other model names	Date	Revision	Revision date
Cutlas		2019-10-09	En.20.04	2020-04-09



Model	Other model names	Date	Revision	Revision date
Cutlas		2019-10-09	En.20.04	2020-04-09

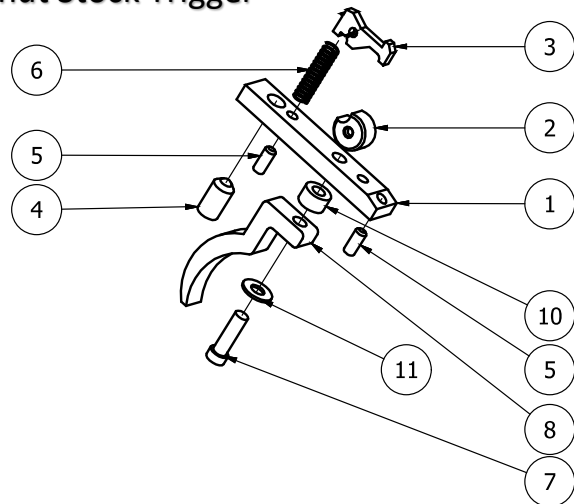
**H**

**Synthetic Stock Trigger**

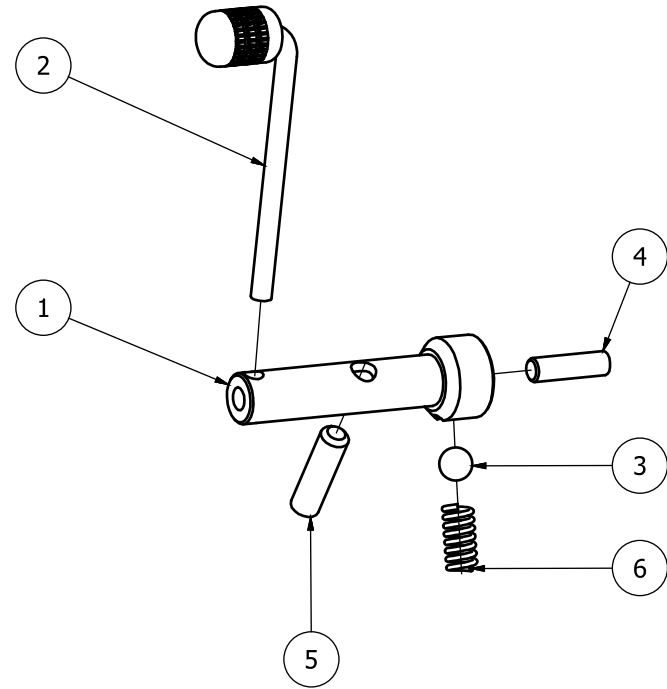


**H**

**Walnut Stock Trigger**



**I**



Model	Other model names	Date	Revision	Revision date
Cutlas		2019-10-09	En.20.04	2020-04-09

NO	ART. NO	DESCRIPTION	NO	ART. NO	DESCRIPTION	NO	ART. NO	DESCRIPTION
A1	11045	Barrelhousing V2	C-8D	11653	500mm Air cylinder	G25	12028	Sidelever Bearing
A2	2029	Magazine Stop	D9	11029	Air Cylinder end Inlet	G26	11016	Cocking Handle
A3	11516	Index Lever Connector	D10	5107	O-ring 2,9x1,78 PUR90	G27	11018	Sidelever Washer
A4	11051	Magazine .177	D11	11615	Inlet valve rod - Red	G28	2527	Socket head cap screw M3x10
A-4B	11050	Magazine .22 v2	D12	19035	Plug 1/8"	G29	5112	O-ring 5,28x1,78 PUR70
A5	5101	O-ring 20x2,5 NBR70	E1	N/A	Air Cylinder End (Aluminum)	G-29B	1504	O-ring 4,42x2,62 NBR70
A6	2501	Cup point grub screw M4x6	E2	11624	O-ring 22x2,5	H1	11524	Trigger Base v2.3.5
A7	11511	Countersunk screw M4x8 (Torx)	E3	5111	O-ring 2,5x1,5 NBR 90	H2	11525	Trigger Wheel
A8	11041	Index Lever	E4	12011	Back Valve	H3	11031	Trigger Sear v2.3.5
A9	11514	Cylindrical pin 3m6x22	E5	5204	Spring 0,5x3x15	H4	11015	Second stage trigger screw M5
A10	2520	Spring 0,5x4x7	E6	11017	Air Cylinder End Inlet Nut	H5	2500	Grub Screw M3x6
A11	12027	Plate FX Cutlas .177	F1	11611	Housing inlet valve red	H6	11504	Spring 0,32x3,2x14,4
A-11B	13001	Plate FX Cutlas .22	F2	11614	Washer	H7	2527	Socket head cap screw M3x10
A12	2508	Countersunk screw M3x10	F3	5107	O-ring 2,9 x 1,78 PUR 90	H8	2020	Trigger Blade
A13	2504	Screw M3x6	F4	11615	High Performance inlet valve	H9	2504	Countersunk Screw M3x6 (Synthet)
A14	11644	Magazine Pin Handle	F5	19035	Plug 1/8"	H10	2063	Trigger Spacer (Walnut Stock)
A15	11048	Pellet Probe .177	G1	11044	Main Body	H11	11531	Washer 3,2x6x0,5 (Walnut Stock)
A-15B	11025	Pellet Probe .22	G2	7044	Valve Seat Complete	I1	11027	Safety Pivot
A-15C	2508	Countersunk Screw M3x10	G3	7035	Valve Pin V2 Complete	I2	11625	Safety lever 27,5mm
A16	13002	Magazine Pin	G4	11627	Spring 0,6x4x20 HV	I3	11527	Steel Ball 3,175
A17	11042	Spring Guide M5	G5	11507	Rubber Steel Washer	I4	11633	Grub Screw M2,5x8
A18	12005	Spring 0,75x4x65	G6	11032	Air Cylinder Connector	I5	11508	Grub Screw M3x10
A19	-	Placed in the Stock	G7	11506	Socket head cap screw M3x30	I6	11501	Spring 0,5x2,5x6,1
A20	11532	Grub Screw M8x10	G8	5005	Plastic Washer 2mm 1/8"	Stock	N/A	Stock Synthetic, N/A
B1	11038	Muzzle End Cap 14mm	G9	11505	Pressure Gauge 25mm 1/8"	Stock	N/A	Stock Walnut, N/A
B2	12030	Barrel 4,5-14-485	G10	11502	Cylindrical Pin 2h6x20			
B-2B	12006	Barrel 5,5-14-485	G11	11626	Spacer 4,8			
B3	2056	Barrel Inlet .22	G12	1504	O-ring 4,42x2,62 NBR70			
B-3B	2057	Barrel brass inlet .177	G13	11623	O-ring 4,42x2,62 NBR90			
B4	5112	O-ring 5,28x1,78 NBR70	G14	11536	Air Transfer Port - High Flow			
B-4B	2529	O-ring 4,3 x 1,5 NBR 70	G15	11023	Hammer			
C1	11035	Air Cylinder End (Brass)	G16	11500	Hammer Spring			
C2	5105	O-ring 9,3x2,4 NBR90	G17	11540	Hammer Weight			
C3	11624	O-ring 22x2,5 NBR70	G18	11030	Hammer spring Adjuster M16x1x2,5			
C4	7044	Valve Seat Complete	G-18B	11541	Hammer spring adjuster			
C5	7018	Valve Pin Air Tube Complete	G19	11509	Cylindrical Pin 3h6x10			
C6	2525	Spring 0,6x4x15	G20	11503	Spring 0,5x2,5x4,4			
C7	11013	Valve pin Nut V.2	G21	11547	Steel Ball 3,5			
C8	11024	N/A	G22	11034	Sidelever			
C-8B	11535	N/A	G23	4066	Steel Ball 3,0			
C-8C	16017	390mm Air cylinder	G24	11020	Power Adjuster blank			