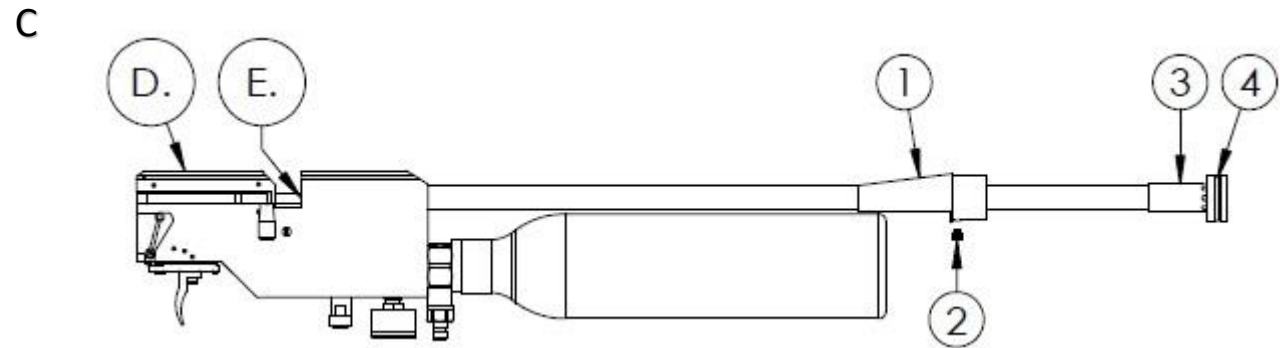
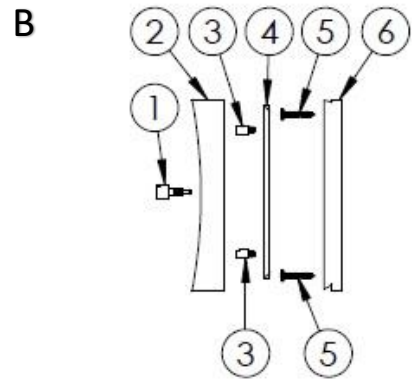
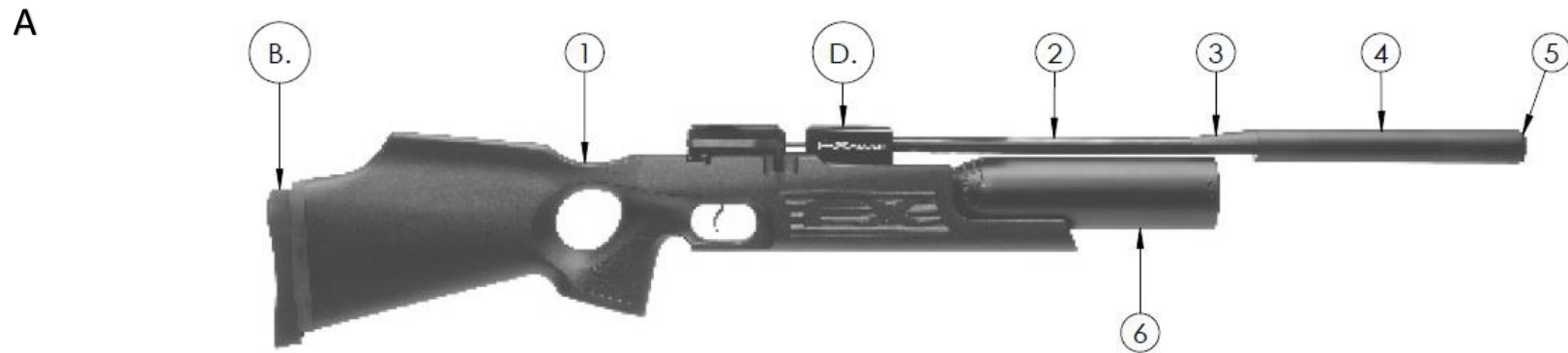
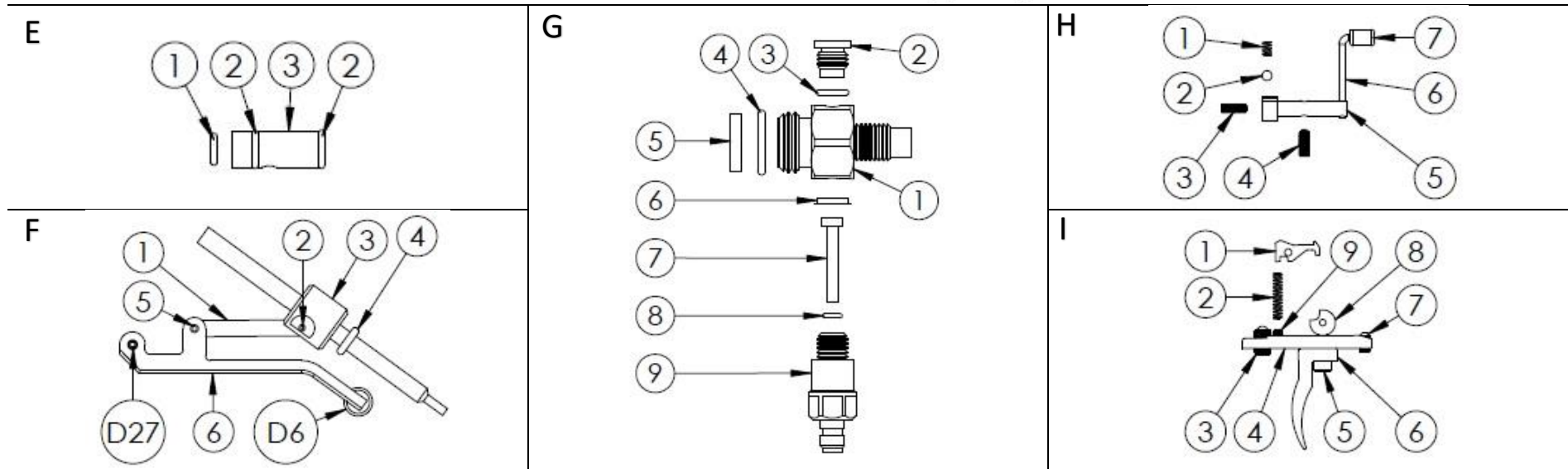
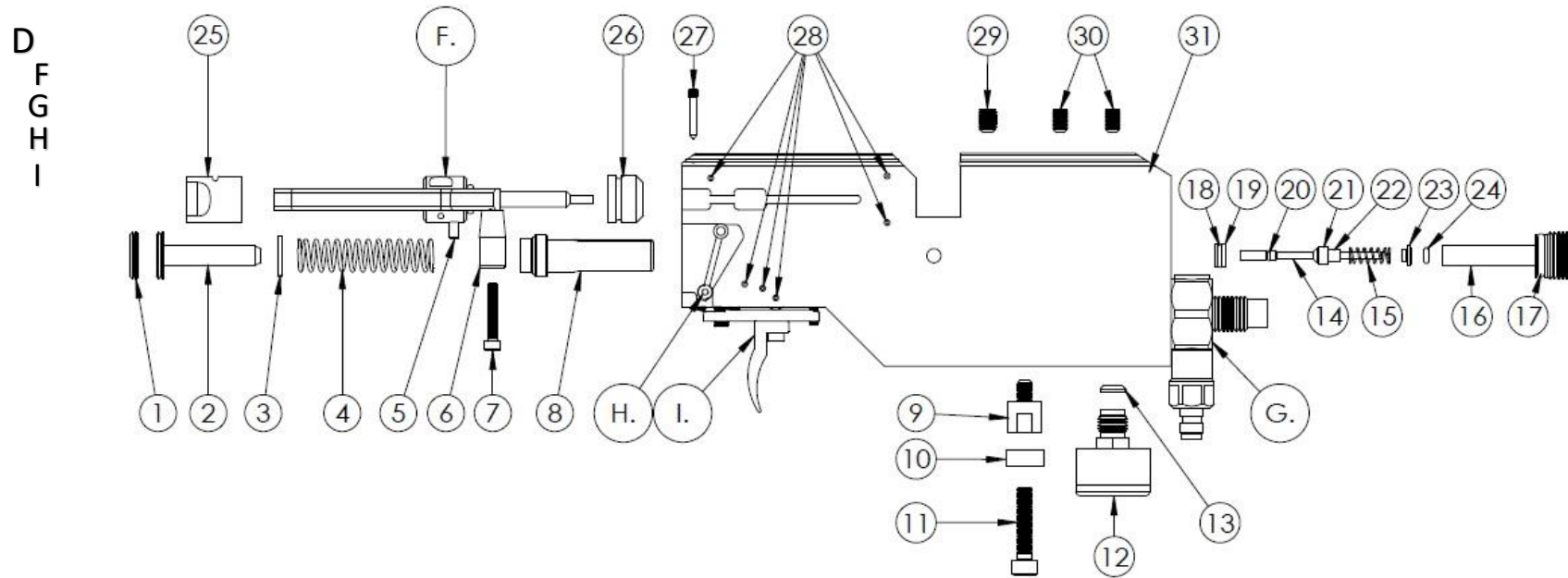


Model	Other model names	Date	Revision	Revision date
FX Royale 400 (R4) – 500 (R5)		2018-06-21	EN.20.02	2020-03-31



Model	Other model names	Date	Revision	Revision date
FX Royale 400 (R4) – 500 (R5)		2018-06-21	EN.20.02	2020-03-31





Model	Other model names	Date	Revision	Revision date
FX Royale 400 (R4) – 500 (R5)		2018-06-21	EN.20.02	2020-03-31

Description: X = Not shown in drawing / HP = High-power / LP = Low-power / ST = Smoothtwist / LW = Lothar Walther / W =Walnut / S = Synthetic

NO	ART. NO	DESCRIPTION	NO	ART. NO	DESCRIPTION	NO	ART. NO	DESCRIPTION
A1 – S	19018	Stock Royale Synthetic	D11 - S	4509	Socket head cap screw M5x20	F1	19021	Side lever linkage
A1 – W	19219	Stock Royale Walnut: Std	D12	11505	Pressure gauge 25mm 1/8"	F2	19042	Cylindrical pin 2mx6x8
A2 - 4,5	12030	Barrel 4,5-14-485	D13	5005	Plastic Washer 2mm 1/8"	F3 – 4,5	19011	Pellet probe 4,5
A2 - 5,5	12006	Barrel 5,5-14-485	D14	7015	Valve pin V7 complete	F3 – 5,5	19010	Pellet probe 5,5 v7
A2 - 6,35	19106	Barrel 6,35-14-600	D14	7015	Valvepin Complete	F3 – 6,35	19192	Pellet probe 6,35 v 7,8
A3	19032	Shroud Cone	D15	2525	Spring 0,6x4x15	F4	1504	O-ring 4,42x2,62 NBR70
A4 - R4	19023	Shroud 216mm	D16 LP	19009	Guide M16	F5	19026	Cylindrical pin 2,5m6x6
A4 - R5	19099	Shroud 345mm R5	D16 HP	19009HP	Guide M16	F6	19020	Sidelever
A5 - 4,5	17023	Muzzle .177	D17	5105	O-ring 9,3x2,4 NBR90	G1	19008	Tube Receiver M20
A5 - 5,5	17000	Muzzle .22	D18	7044	Valve seat Complete	G2	19035	Plug 1/8"
A5 - 6,35	19112	Muzzle .25	D19	2529	O-ring 4,3x1,5 NBR70	G3	4528	O-ring 7,66x1,78NBR70
A6 - R4	0219	Bottle 400 complete	D20	2528	O-ring 1,5x1 NBR70	G4	19088	O-ring 15,88x2,62 NBR90
A6 - R5	5536	Tube/ Bottle 500cc Complete	D21	2040	Plastic Washer	G5	19036	Plastic Washer 18,9x15x3 Tube Receiver
B1-6	16051	Adjustable recoil pad	D22	2041	Holder Valve Seal	G6	19030	Plastic Washer 12x9,8x2,3 Early Royale
C1	19032	Shroud Cone	D23 HP	19038	Spring seat v7	G7	19005	Inlet valve rod - Blue
C2	19114	Grub screw M5x6 flat	D24 HP	5111	O-ring 2,5x1,5 NBR90	G8	5107	O-ring 2,9x1,78 PUR90
C3 - 4,5	19028	Shroud compensator 4,5-5,5	D25	19029	Rear pellet probe guide	G9	19062	Quick Connector male
C3 - 5,5	19028	Shroud compensator 4,5-5,5	D26 – 4,5	19013	Black plastic bushing	H1	11503	Spring 0,5x2,5x4,4
C3 - 6,35	19065	Shroud compensator 6,35	D26 - 5,5	19012	Black plastic bushing 5,5	H2	4066	Steelball 3mm
C4	19098	O-ring 18,0x4,0 NBR 70	D26 - 6,35	19101	Black plastic bushing 6,35	H3	11633	Grub Screw M2,5x8
D1 - Only UK	16043	Anti Tamper	D27	19034	Screw M3 "special"	H4	11508	Grub Screw M3x10
D2 - 4,5	11030	Hammerspring Adjuster	D28	19040	Cylindrical pin 2m6x23,5	H5	11027	Safety Pivot
D2 - 5,5	11030	Hammerspring Adjuster	D29	19086	Conical grub screw M6x8	H6	11625	Safety lever 27,5mm Cyclone, Cutlas, Ranch.
D2 - 6,35	11030 > 10Joule	Hammerspring Adjuster	D30	2534	Conical grub screw M5x6	H7	11200	Safety knob
D2 - 6,35	11541 16Joule >	Hammerspring Adjuster	D31	19003	Main Block v7	I1	11031	Trigger Sear
D3	16026	Washer 6,7x14	E1 – 4,5	2529	O-ring 4,3x1,5 NBR70	I2	11504	Spring 0,32x3,2x14,4
D4	11500	Hammerspring	E1 – 5,5	5108	O-ring 5,28x1,78 PUR70	I3	11062	Adj screw second stage, soft
D5	11509	Cylindrical pin 3h6x10	E1 – 6,35	4526	O-ring 6,4x1,3 NBR 70	I4	11524	Trigger base
D6	19037	Side lever Handle v7	E2	5112	O-ring 5,28x1,78 NBR70	I5	2527	Socket head cap screw M3x10
D7	11060	Socket head cap screw M3x18	E3 - 4,5	2057	Barrel brass inlet .177	I6	2020	Trigger blade
D8 - R4	19039	Hammer V7	E3 - 5,5	2056	Barrel Inlet .22	I7+I9	2500	Grub Screw M3x6
D8 - R5	19039+11540	Hammer+Weight	E3 - 6,35 <16J	19104	Barrel inlet .25	I8	11525	Trigger Wheel
D9	19015	Stock Attachment M5	E3 – 6,35 >16J	19118	Barrel inlet .25 HP			
D9 - X	5112	O-ring 5,28x1,78 NBR70						
D10	16044	Stock Spacer						
D11 - W	14500	Socket head cap screw M5x16						