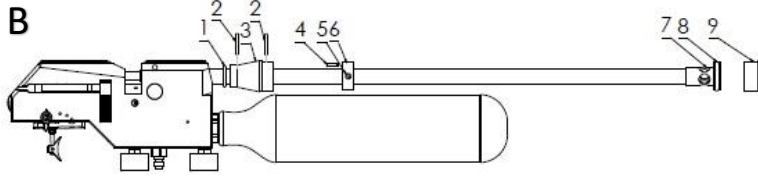


| Model    | Other model names | Date       | Revision | Revision date |
|----------|-------------------|------------|----------|---------------|
| FX Crown |                   | 2018-06-19 | EN.20.2  | 2020-04-01    |

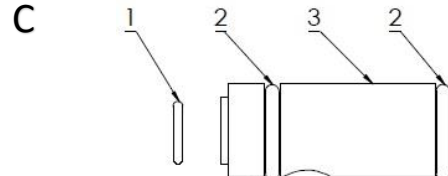
**A**



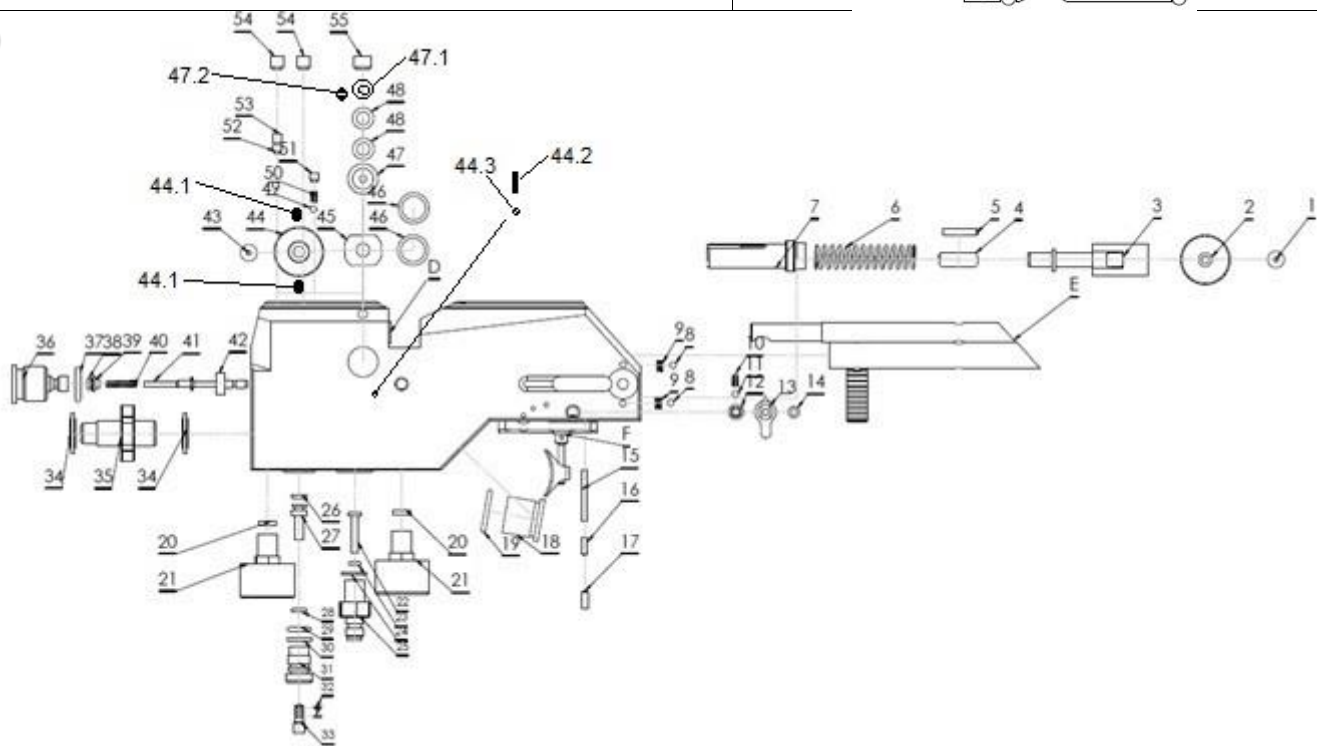
**B**



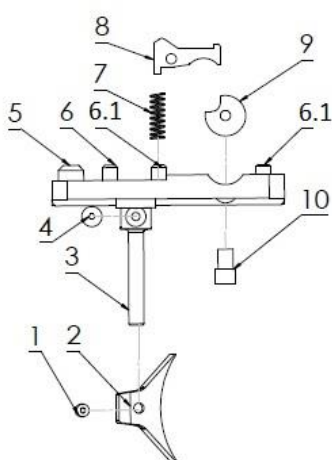
**C**



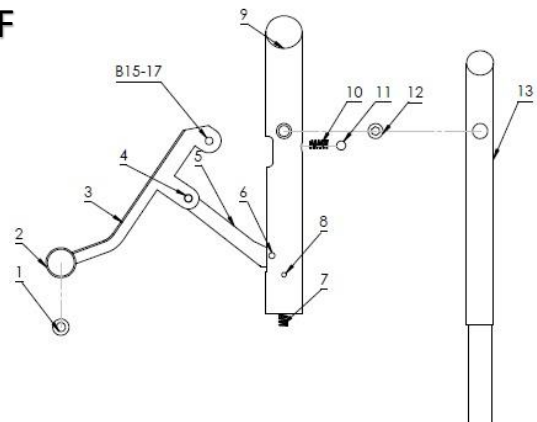
**D**



**E**



**F**



| Model    | Other model names | Date       | Revision | Revision date |
|----------|-------------------|------------|----------|---------------|
| FX Crown |                   | 2018-06-19 | EN.20.2  | 2020-04-01    |

| NO                 | ART. NO         | DESCRIPTION   | NO       | ART. NO | DESCRIPTION  |
|--------------------|-----------------|---|----------|---------|--|
| A1-Walnut          | 19940           | Crown Walnut Stock                                    | D30      | 19225   | O-ring 7,5x2 NBR70, <i>from ser.no. 181700</i>             |
| A1-Gray            | 19943           | Crown Laminate Gray Stock                             | D31      | 19697   | Regulator housing Impact, <i>until serial no. 181700</i>   |
| A1-Green           | 19941           | Crown Laminate Green Stock                            | D31      | 19697-1 | Regulator housing Impact/Crown, <i>from ser.no. 181700</i> |
| A1-Blue            | 19942           | Crown Laminate Blue Stock                             | D32      | 19731   | O-ring 2x1 NBR 90  |
| A2                 | 19901           | Main block Crown                                      | D33      | 19695   | Regulator Screw Impact                                     |
| A2                 | 19901-Picatinny | Main block Crown Picatinny                            | D34      | 11507   | Rubber/Steel Washer  |
| A3-4,5 & 5,5       | 19142           | Shroud 447mm Extreme                                  | D35      | 19659   | Bottle connector Impact                                    |
| A3-6,35 & 7,62     | 19975           | Shroud 562mm  | D36      | 19905   | M16 Guide Crown  |
| A4                 | 5532            | Tube/ Bottle Carbonfiber 480cc                        | D36      | 19948   | <i>Gide M16 low power, for 10J/12Ft</i>                    |
| B1                 | 12045           | O-ring 13.95x2.62 NBR 70                              | D37      | 5109    | O-ring 11,6x2,4 NBR 70                                     |
| B2                 | 12045           | O-ring 13.95x2.62 NBR 70                              | D38      | 5111    | O-ring 2,5x1,5 NBR 90                                      |
| B3                 | 19925           | Shroud-cone Crown                                     | D39      | 19038   | Spring seat v7   |
| B4                 | 11509           | Cylindrical pin 3h6x10                                | D40      | 2525    | Spring 0,6x4x15  |
| B5                 | 11201           | Cup point grub screw M5x4                             | D40      | 11627   | <i>Spring 0,6x4x20, for 10J/12Ft</i>                       |
| B6                 | 19926           | Shroudstop Crown                                      | D41      | 19929   | Valvepin Crown SHP Complete                                |
| B7                 | 19911           | Shroud compensator .22                                | D42      | 19217   | Valveseat CPL  |
| B7                 | 19912           | Shroud compensator .25                                | D43      | 16104   | Countersunk screw M4x14                                    |
| B7                 | 19913           | Shroud Compensator .30                                | D44      | 19915   | Power adjuster house Crown                                 |
| B8                 | 19951           | O-ring 18x3,5 NBR 70                                  | D44      | 20123   | <i>Power adjuster Crown Picatinny</i>                      |
| B9-4.5 & 5.5       | 19654           | Impactmuzzle 7,0                                      | D44.1    | 2562    | Cup point grub screw M3x3, <i>Crown Picatinny</i>          |
| B9- 6.35           | 19655           | Impactmuzzle 8,0                                      | D44.2    | 11501   | Spring 0,5x2,5x6,1, <i>Crown Picatinny</i>                 |
| B9- 7.62           | 19656           | Impactmuzzle 9,0                                      | D44.3    | 4066    | Steel ball 3mm, <i>Crown Picatinny</i>                     |
| C1- 4.5            | 2529            | O-ring 4,3 x 1,5 NBR 70                               | D45      | 19923   | Poweradjuster outer crown                                  |
| C1- 5.5            | 19726           | O-ring 5,5 x 1,5 NBR 70                               | D46      | 19081   | O-ring 11,1x1,6 NBR 70                                     |
| C1- 6.35           | 2575            | O-ring 6,35 x 1,27 NBR 70                             | D47      | 19922   | Power adjuster inner Crown                                 |
| C1- 7.62           | 19209           | O-ring 7,5 x 1,5 NBR 70                               | D47      | 19937   | <i>Power adjuster inner Crown 10J</i>                      |
| C2- .177, .22, .25 | 19703           | O-ring 10x2 NBR 70                                    | D47      | 19936   | <i>Power adjuster inner Crown 12Ft</i>                     |
| C2- .30            | 19210           | O-ring 11x1,5 NBR 70                                  | D47      | 20124   | Power adjuster inner, <i>Crown Picatinny</i>               |
| C3                 | 19628           | Barrel inlet .177 Impact/Crown                        | D47      | 20145   | Power adjuster inner10J/12ft Dreamline/Crown Picatinny     |
| C3                 | 19629           | Barrel inlet .22 Impact/ Crown                        | D47.1    | 5208    | Screw Countersunk M4x6, <i>Crown Picatinny</i>             |
| C3                 | 19670           | Barrel inlet .25 Impact/Crown                         | D47.2    | 2562    | Cup point grub screw M3x3, <i>Crown Picatinny</i>          |
| C3                 | 19671           | Barrel inlet .30 Impact/Crown                         | D48      | 19228   | O-ring 6x2 NBR 70  |
| D1                 | 2508            | Countersunk screw M3x10                               | D49      | 4066    | Steel Ball 3mm   |
| D2                 | 19908           | Power adjuster Crown                                  | D50      | 11501   | Spring 0,5x2,5x6,1   |
| D3                 | 19902           | Springholder Crown                                    | D51      | 2637    | Grub screw M4x6 flat                                       |
| D4                 | 19909           | Hammer Adjuster Crown                                 | D52      | 2637    | Grub screw M4x6 flat                                       |
| D5                 | 19683           | Grubscrew M3x18                                       | D53      | 2637    | Grub screw M4x6 flat                                       |
| D6                 | 11500           | Hammerspring v2                                       | D54      | 19846   | Grub screw M6x6  |
| D6                 | 16024           | <i>Hammerspring, for 10J /12Ft</i>                    | D55      | 19955   | Grub screw M8x6  |
| D7                 | 19039           | Hammer v7   | E1       | 12035   | Grub screw M2.5x2.5  |
| D8                 | 11501           | Spring 0,5x2,5x6,1                                    | E2       | 19136   | Adjustable trigger blade                                   |
| D9                 | 4066            | Steelball 3mm   | E3       | 19137   | Triggerpin   |
| D10                | 11501           | Spring 0,5x2,5x6,1                                    | E4       | 19178   | Screw M2x4   |
| D11                | 4066            | Steelball 3mm   | E5       | 11015   | Second stage trigger screw M5                              |
| D12                | 19907           | Safety Crown  | E6       | 2500    | Grub screw M3x6  |
| D13                | 19906           | Safety lever Crown                                    | E6.1     | 19742   | Grub screw M3x8  |
| D14                | 11546           | Socket head cap screw M3x14                           | E7       | 11544   | Spring 0,32x3,2x14,4 (Cut 2,5v)                            |
| D15                | 1501            | Cylindrical pin 2,5m6x24                              | E8       | 19934   | Trigger sear Crown   |
| D16                | 19026           | Cylindrical pin 2,5m6x6                               | E9       | 11525   | Trigger wheel  |
| D17                | 11508           | Grub screw M3x10                                      | E10      | 19927   | Screw trigger roll Crown                                   |
| D18                | 19904           | Plug M18x1 Crown                                      | F1       | 19682   | Socket head cap screw M3x16                                |
| D19                | 19950           | O-ring 14x2 NBR 70                                    | F2       | 19611   | Side lever handle B2-WC-IM                                 |
| D20                | 19723-1         | Plastic Washer "Thick" Impact Regulator Gauge         | F3       | 19638   | Sidelever Imp, Crown, Str                                  |
| D21                | 11505           | Pressure gauge 25mm 1/8"                              | F4       | 19026   | Cylindrical pin 2,5m6x6                                    |
| D22                | 19329           | Inlet valve rod "gold"                                | F5       | 19935   | Linkage Crown  |
| D23                | 5111            | O-ring 2.5x1.5 NBR 90                                 | F6       | 19601   | Cylindrical pin 2h6x6                                      |
| D24                | 16028           | O-ring 12x1 NBR 70                                    | F7       | 19957   | Fjäder 0,8x6,5ydx18,5x9nt NPA                              |
| D25                | 19939           | Quick connector Crown                                 | F8       | 11509   | CPK 3h6x10   |
| D26                | 19109           | O-ring 4x1,5 NBR 70                                   | F9       | 19921   | Carrier  |
| D27                | 19696           | Regulator piston (long) (May 2017>)                   | F10      | 11503   | Spring 0,5x2,5x4,4   |
| D28                | 19109           | O-ring 4x1,5 NBR 70                                   | F11      | 4066    | Steelball 3mm  |
| D29                | 19763           | O-ring 9x1,5 NBR 90, <i>until serial no. 181700</i>   | F12      | 19914   | Pellet probe screw   |
| D29                | 19790           | O-ring 10x1,5 NBR90, <i>from ser.no. 181700</i>       | F13-4.5  | 19917   | Pellet probe Crown .177                                    |
| D30                | 4528            | O-ring 7,66x1,78 NBR 70, <i>until ser. no. 181700</i> | F13-5.5  | 19918   | Pellet probe Crown .22                                     |
|                    |                 |   | F13-6.35 | 19919   | Pellet probe Crown .25                                     |
|                    |                 |   | F13-7.62 | 19920   | Pellet probe Crown .30                                     |