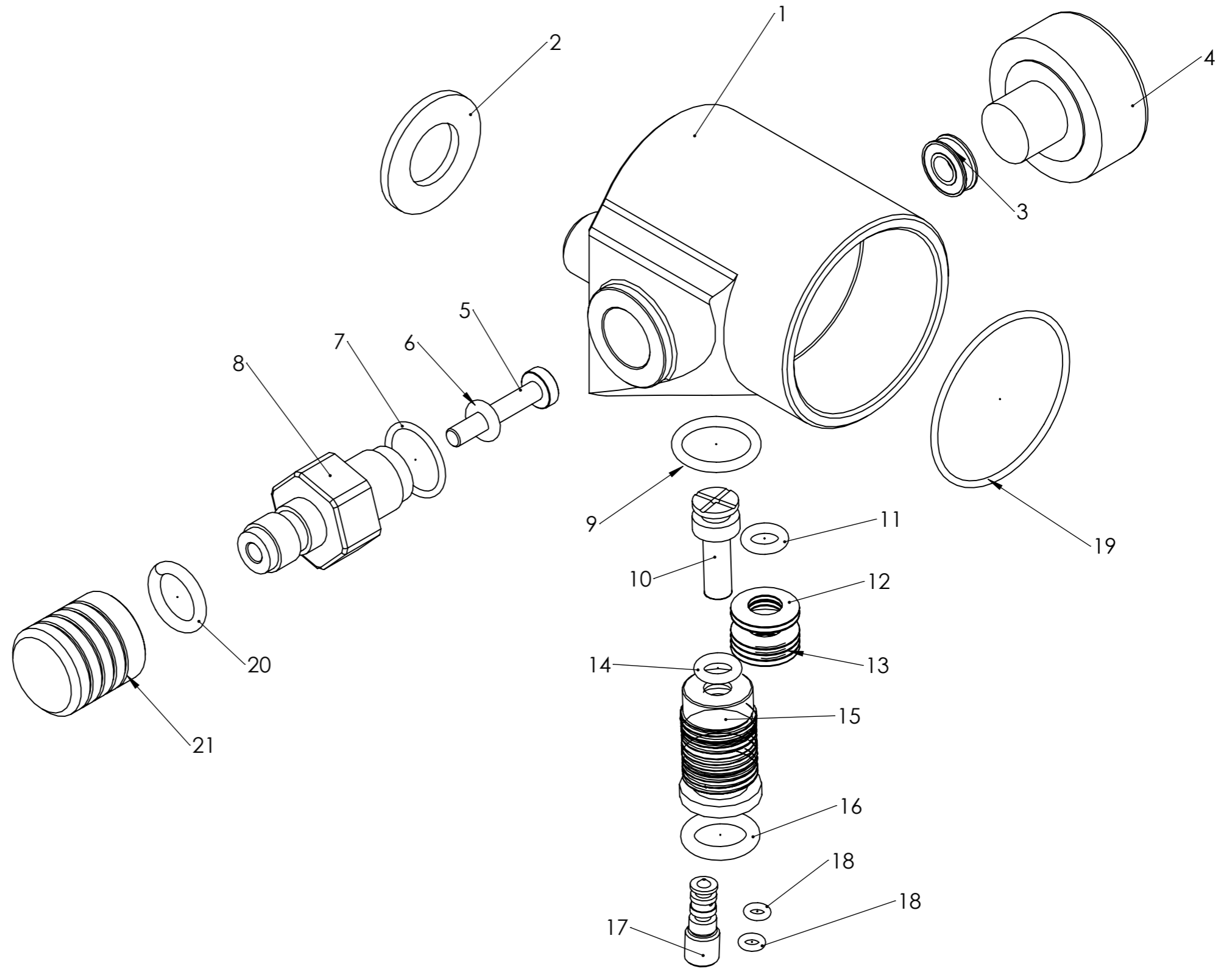


Position	Description	Art. No.
1	Air bottle adapter Dreamline	20122
2	Rubbersteel washer M12	11507
3	X-ring 3,63x2,62 NBR 70	19762
4	Pressure gauge 23mm	19772
5	Inlet valve rod "blue"	19005
6	O-ring 2,9 x 1,78 PUR 90	5107
7	O-ring 10x1 NBR 90	19720
8	Quick connector male	16303
9	O-ring 10x1,5 NBR 90	19790
10	Regulator rod	19696
11	O-ring 4x1,5 NBR 70	19109
12	Washer 10x4,2x0.6	2572
13	Washer 10x4,2x0.5	2570
14	O-ring 4x1,5 NBR 70	19109
15	Regulator house	19697-1
16	O-ring 7,5x2,0 NBR 70	19225
17	Regulator screw	19695
18	O-ring 2x1 NBR 90	19731
19	O-ring 26,0 x 1,0 NBR 90	5132
20	O-ring 7,66 x 1,78 NBR 70	4528
21	Dust Cover - Quick Connection	19910



TITLE:		Airbottle adapter Dreamline	
MATERIAL:	Tolerans enl. SS-ISO 2768-1	DWG NO.	ART NO.
Fin		F10101	20148
DRAWN	NAME	DATE	CHANGE DATE
REVISION		SCALE:1:5:1	SHEET 1 OF 1

MATERIAL:		Tolerans enl. SS-ISO 2768-1		DWG NO.		ART NO.	
		Fin		F10101		20148	
DRAWN	NAME	DATE	CHANGE DATE	REVISION		SCALE:1:5:1	SHEET 1 OF 1



A3