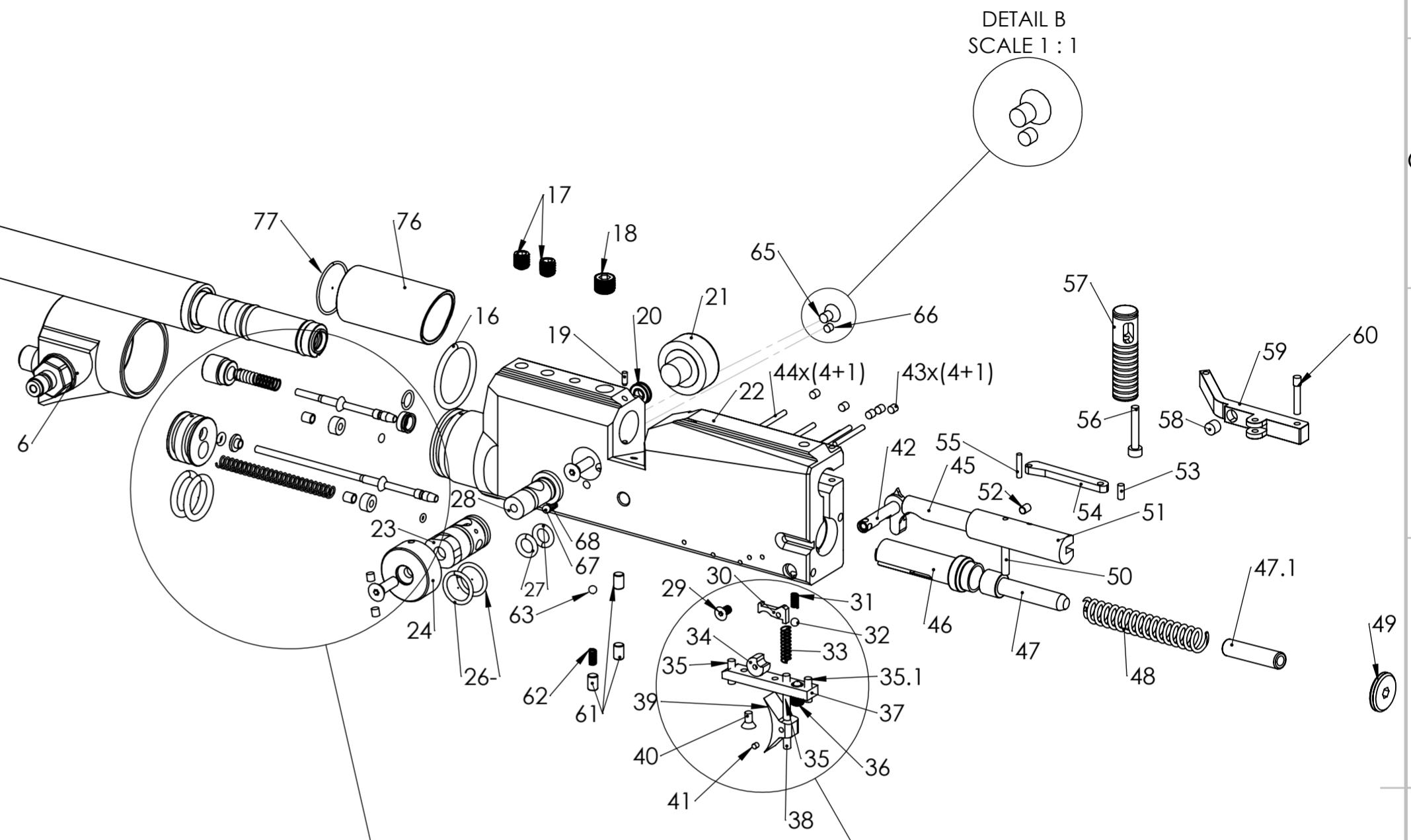


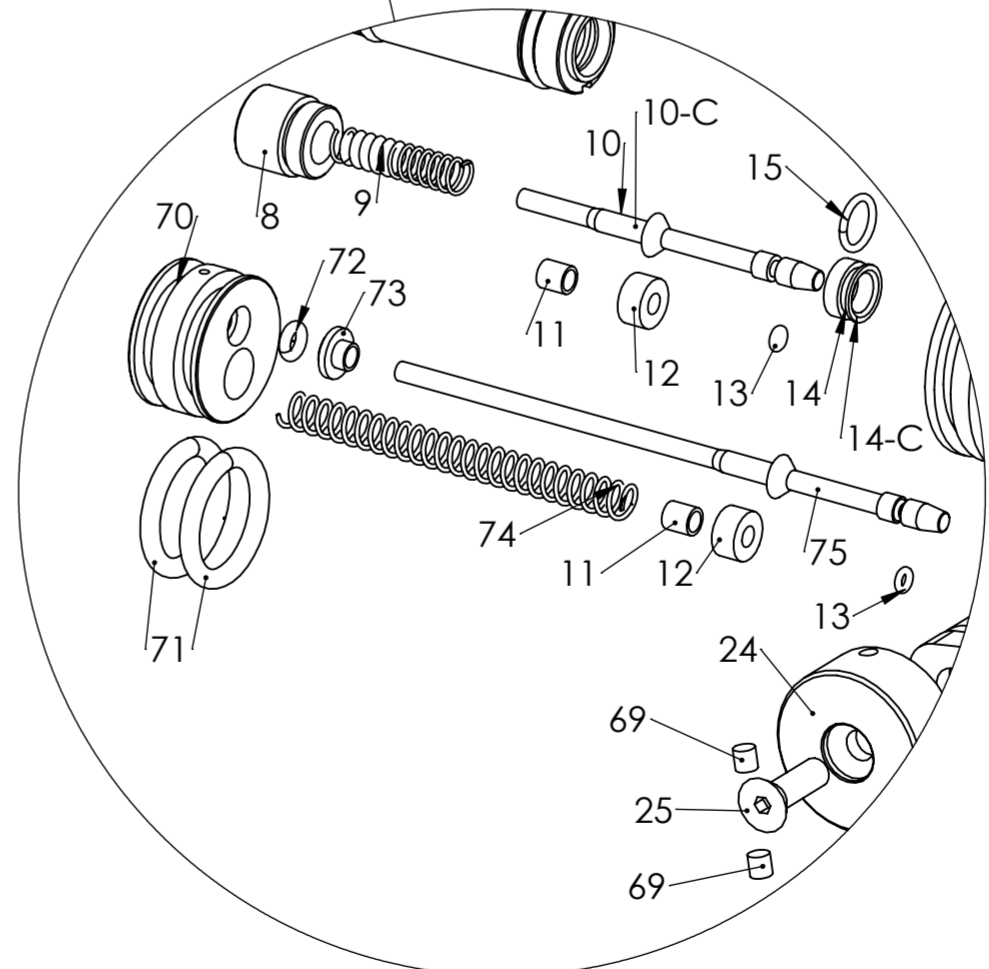
4-see the drawing F10061
"Dreamline Barrel kit"

Art. No	Description
20140	Barrel kit Dreamline .177
20141	Barrel kit Dreamline .22
20149	Barrelkit Dreamline 22 600mm
20142	Barrel kit Dreamline .25
20143	Barrel kit Dreamline .30

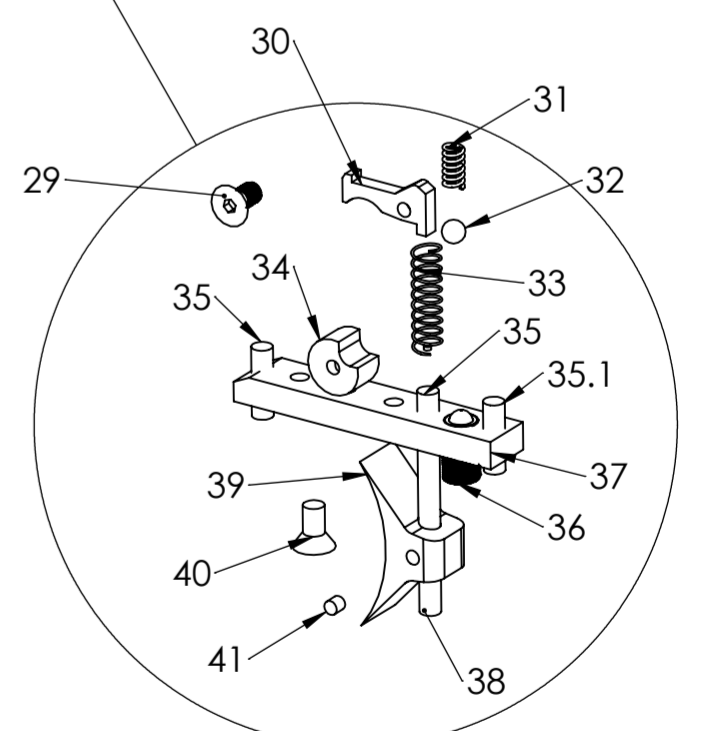
Position	Description	Art. No	Position	Description	Art. No
4	Barrel cpl., see drawing F10061-Dreamline Barrel kit		45	Pellet probe Dreamline .177	20060
5	Air Bottle cpl., see drawing F10103		45	Pellet probe Dreamline .22	20061
6	Air Bottle adapter cpl., see drawing F10101	20148	45	Pellet probe Dreamline .25	20062
7	N/A		45	Pellet probe Dreamline .30	20063
8	Valve holder Dreamline, until ser.no. 194000	20037	46	Hammer V7	19039
9	Spring 0,5x4x20, until ser.no. 194000	19850	47	Hammer weight cal. .177, until ser. No. 194000	19215
10C	Valve pin Dreamline Complete, until ser.no. 194000	20135		Hammer weight addition cal. .177,until ser. No. 194000	18041
10	Valve Pin Dreamline, until ser.no. 194000, included in complete valve pin	20036	47	Hammer Weight cal. .22, .25, .30,until ser. No. 194000	17003
11	Holder Valve seal, included in complete valve pin		47	Hammer weight after serial No. 194000	19215
12	Gasket SHP, included in complete valve pin		47.1	Spring guide Impact, only on .177, after serial No. 194000, (not on Classic)	19623
13	O-ring 1,5x 1,0 NBR 70, also included in complete valve pin	2528			
14C	Valve seat SHP Complete	19060	48	Hammer spring V2	11500
14	Valveseat SHP, included in valve seal complete		49	Hammer spring adjuster (only on Classic model)	11541
15	O-ring 6x1 NBR 90, also included in valve seal complete	19061	50	Cylindrical pin 3h6x20	11510
16	O-ring 23x2.5 NBR70	19485	51	Carrier Dreamline	20058
17	Grub screw M6x6	19846	52	Grub screw M3x4	16092
18	Grub screw M8x6	19955	53	Cylindrical pin 2.5m6x6	19026
19	Cylindrical pin 2h6x6	19601	54	Linkage Crown	19935
20	X-ring 3,63x2,62 NBR 70	19762	55	Cylindrical pin 2h6x10	19213
21	Pressure gauge 23mm	19772	56	Socket head cap screw MC6S M3X18	11060
22	Main block Dreamline, until serial no. 190310 use art.no. 20020	20126	57	Side lever handle handle B2-WC-IM	19611
23	Power adjuster, outer, until serial no. 190310 use art.no. 20034	20125	58	Magnet 5x4mm	20055
24	Power adjuster Crown, until serial no. 190310 use art.no. 19915	20123	59	Side lever Dreamline	20064
25	Countersunk screw M4x14	16104	60	Screw M3 (special)	19034
26	O-ring 11.1x1.6 NBR90 (2st)	19081	61	Grub screw M4x6 flat, until ser. No. 190310	2637
27	O-ring 5,5x2 NBR70	19953	62	Spring 0,5x2,5x6,1 ... until ser. No. 190310	11501
28	Power adjuster inner, Crown, until serial no. 190310 use art.no. 19922	20124	63	Steel ball 3mm, until ser. No. 190310	4066
29	Countersunk screw M3x6	2504	64	N/A	
30	Trigger sear V7,8,12	19177	65	Countersunk screw M4x6, after ser. no. 190310	5208
31	Spring 0,5x2,5x6,1	11501	66	Grub screw M3x3, after ser. no. 190310	2562
32	Steel ball 3mm	4066	67	Steel ball 3mm, after ser. No. 190310	4066
33	Spring 0,32x3,2x14,4	11504	68	Spring 0,5x2,5x6,1 ... after ser. No. 190310	11501
34	Trigger Wheel	11525	69	Grub screw M3x3, after ser. no. 190310	2562
35	Grub screw M3x8	19742	70	Cover Valve Pin long, HP, after ser.no. 194000	20152
35.1	Grub screw M3x10	11508	70	Cover Valve pin long, 10J, 12Ft, after ser.no. 194000	20175
36	Adjuster screw 2:st stage, soft	11062	71	O-ring 13,95x2,62 NBR 70, after ser.no. 194000	12045
37	Triggercatch Dreamline, standard	20033	72	O-ring 2,5x1,5 NBR90, after ser.no. 194000	5111
38	Trigger pin	19809	73	Springseat, after ser.no. 194000	19038
39	Adjustable Trigger blade	19136	74	Spring 0,6x4x60, after ser.no. 194000	20180
40	Countersunk Screw M3x6	2504	75	Valvepin Dreamline long complete, after ser.no. 194000	20153C
41	Grub Screw M2,5x2,5	12035	76	Barrel support Dreamline	20162
42	Safety Impact	19610	77	O-ring 20x1 NBR 70	20159
43	Cup point grub screw M3x3	2562			
44	Cylindrical pin 2h6x20	11502			



DETAIL B
SCALE 1 : 1



DETAIL C
SCALE 1 : 1



DETAIL A
SCALE 1 : 1

TITLE: Dreamline Basic, Airbottle

MATERIAL:				FXairguns		DWG NO. F10102	ART NO. A2
DRAWN	NAME	DATE	CHANGE DATE	REVISION	SCALE:1:2	SHEET 1 OF 1	